

HIAB X-HIDUO 298



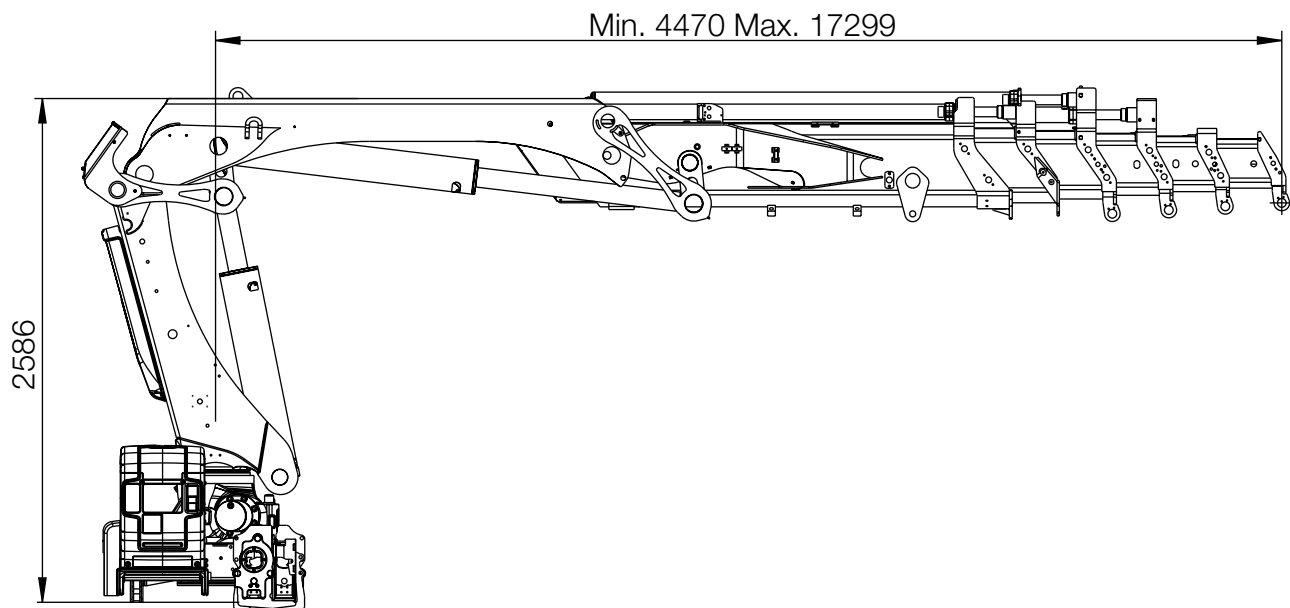
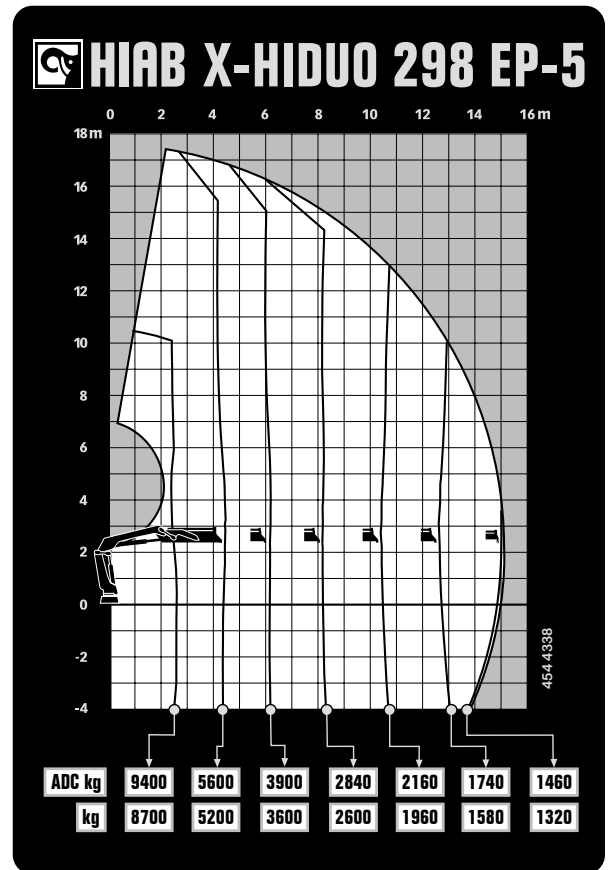
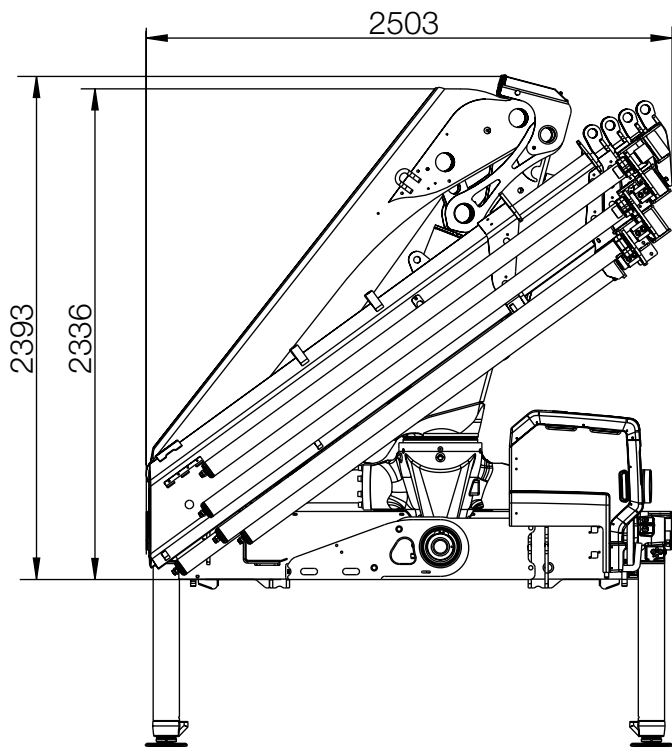
HIAB X-HIDUO 298 BASIC DATA

BASIC DATA	X-HiDuo 298 E-6	X-HiDuo 298 E-8	X-HiDuo 298 EP-3	X-HiDuo 298 EP-5
Mdyn	334 kNm	337 kNm	325 kNm	334 kNm
Lifting capacity (kNm)	218	209	237	227
Lifting capacity (tm)	22,2	21,3	24,2	23,1
Lifting capacity (ADC) (kNm)	237	228	255	246
Lifting capacity (ADC) (tm)	24,2	23,2	26	25,1
Outreach - lifting capacity, standard (m-kg)	2,5 - 9 400	2,5 - 9 100	2,6 - 9 700	2,6 - 9 400
	4,5 - 5 300	4,7 - 4 950	4,3 - 6 100	4,5 - 5 600
	6,1 - 3 750	6,3 - 3 400	6 - 4 300	6,2 - 3 900
	7,9 - 2 740	8,1 - 2 420	8 - 3 150	8,2 - 2 840
	9,8 - 2 080	10 - 1 800	10,2 - 2 480	10,4 - 2 160
	11,8 - 1 660	12 - 1 380		12,7 - 1 740
	13,9 - 1 360	14,1 - 1 080		15 - 1 460
	16,1 - 1 160	16,3 - 900		
	18,6 - 760			
	20,9 - 660			
Outreach - lifting capacity, manual extensions (m-kg)	18,3 - 940	22,4 - 560	12,5 - 1 940	17,2 - 1 200
Hydraulic outreach, standard (m)	16,2	21	10,3	15,1
Hydraulic boom extension (m)	11,7 m	16,3 m	6,0 m	10,6 m
Outreach, manual extensions (m)	18,4	22,6	12,6	17,3
Lifting height above installation level, hydr/man (m)	18,8 / 23,1	23,6 / 25,1	12,9 / 17,5	17,7 / 19,8
Rec. oil flow (l/min)	70 - 90	70 - 90	70 - 90	70 - 90
Working pressure (Mpa)	32,6	32,6	32,6	32,6
Oil in tank (l)	150 - 200	150 - 200	150 - 200	150 - 200
Tank capacity (l)	0 - 235	0 - 235	0 - 235	0 - 235
Slewing angle (°)	420	420	420	420
Max slope viable at full capacity (°)	5	5	5	5
Slewing torque, gross (kNm)	34	34	34	34
Slewing speed 80 (°/s)	15	15	15	15
Slewing speed (°/s)	15	15	15	15
Lifting speed at standard hydraulic outreach (m/s)	2,5	3,2	1,6	2,3
Height in folded position (mm)	2 401	2 401	2 393	2 393
Width in folded position (mm)	2 505	2 508	2 500	2 503
Install space required with hose and pipe kit (mm)	1 220	1 212	1 165	1 179
Crane in standard version without stabiliser system (kg)	3 420	3 700	2 840	3 150
Frame attachments (kg)	56 - 63	56 - 63	56 - 63	56 - 63
Stabiliser system equipment (kg)	381 - 465	381 - 465	381 - 465	381 - 465

This table show one example of a model, and represents some of all options available. With the opportunity to configure your crane, we can provide you with a crane perfectly tailored for your needs.

Please contact your local dealer for more information and the exact data on the variety of options we can offer.

Hiab X-HIDUO 298 EP-5



BUILT TO PERFORM

Hiab is the world's leading provider of on-road load handling equipment. Customer satisfaction is the first priority for us. Hiab's product range includes HIAB loader cranes, JONSERED recycling and forestry cranes, LOGLIFT forestry cranes, MOFFETT truck mounted forklifts and MULTILIFT demountables, as well as DEL, WALTCO and ZEPRO tail lifts.

hiab.com

Hiab is part of Cargotec.

cargotec.com



© BD-XHIDUO298-EN-WW_160610



hiab.com